

### FEATURES

- Display Format: 320 × 240
- Overall Dimensions:  
170 (W) × 110 (H) × 8 max (D) mm
- Active Area: 121 (W) × 91.6 (H) mm
- Dot Pitch: 0.33 (W) × 0.33 (H) mm

### DESCRIPTION

The SHARP LM32K07 Passive Matrix Color LCD consists of 320 × 240 dots with a backlight system which uses a cold cathode fluorescent tube (CCFT). The LCD also consists of a DFSTN-type positive panel and a transfective viewing mode.

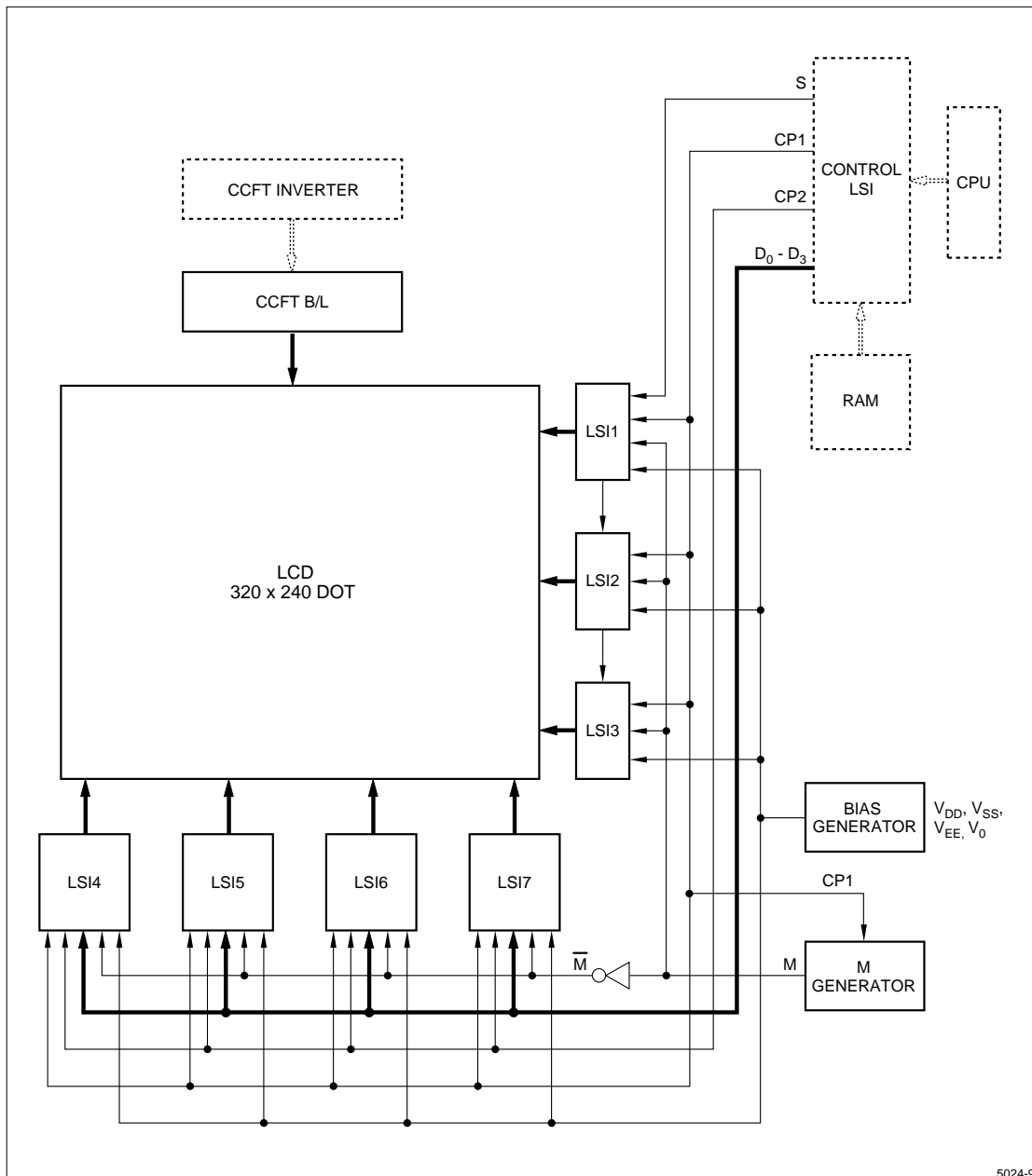


Figure 1. LM32K07 Block Diagram

## MECHANICAL SPECIFICATIONS

PARAMETER	SPECIFICATIONS	UNIT	NOTE
Outline Dimensions	170 (W) × 110 (H) × 8 max (D)	mm	1
Active Area	121 (W) × 91.6 (H)	mm	–
Display Format	320 (W) × 240 (H) Full Dots	–	–
Dot Size	0.33 (W) × 0.33 (H)	mm	–
Dot Spacing	0.03	mm	–
Base Color	Black	–	3
Background Color	White		2
Weight	220	g	–

### NOTES:

- Excludes the mounting tab.
- Due to the characteristics of the LC material, the colors vary with environmental temperature.
- Negative-type display:  
Display data 'H': Dots ON: Black  
Display data 'L': Dots OFF: White

## ABSOLUTE MAXIMUM RATINGS ( $t_A = 25^\circ\text{C}$ )

SYMBOL	PARAMETER	MIN.	MAX.	UNIT
$V_{DD} - V_{SS}$	Supply Voltage (Logic)	0	6.0	V
$V_{DD} - V_{EE}$	Supply Voltage (LCD Drive)	0	30.0	V
$V_{IN}$	Input Voltage	0	$V_{DD}$	V
VCCFT	Supply Voltage (CCFT)	0	1000	$V_{RMS}$
ICCFT	Supply Current (CCFT)	0	6.5	$\text{mA}_{RMS}$

## ENVIRONMENTAL CONDITIONS

ITEM	TSTG		TOPR		CONDITION	NOTE
	MIN.	MAX.	MIN.	MAX.		
Ambient Temperature	-25°C	+60°C	0°C	+45°C	–	1
Humidity	–		–		No condensation	2
Vibration	–		–		3 Directions (X/Y/Z)	3
Shock	–		–		6 Directions ( $\pm X/\pm Y/\pm Z$ )	4

### NOTES:

- Do not subject the LCD unit to temperatures out of this specification.
- $t_A \leq 40^\circ\text{C}$ , 95% RH maximum.  
 $t_A > 40^\circ\text{C}$ , Absolute humidity less than  $t_A = 40^\circ\text{C}$  at 95% RH.
- These test conditions are in accordance with IXC 68-2-6.  
Two hours for each direction of X/Y/Z (six hours total).

Frequency	10 Hz to 55 Hz
Vibration Width	1.5 mm
Interval	10 Hz to 55 Hz to 10 Hz/1.0 min.

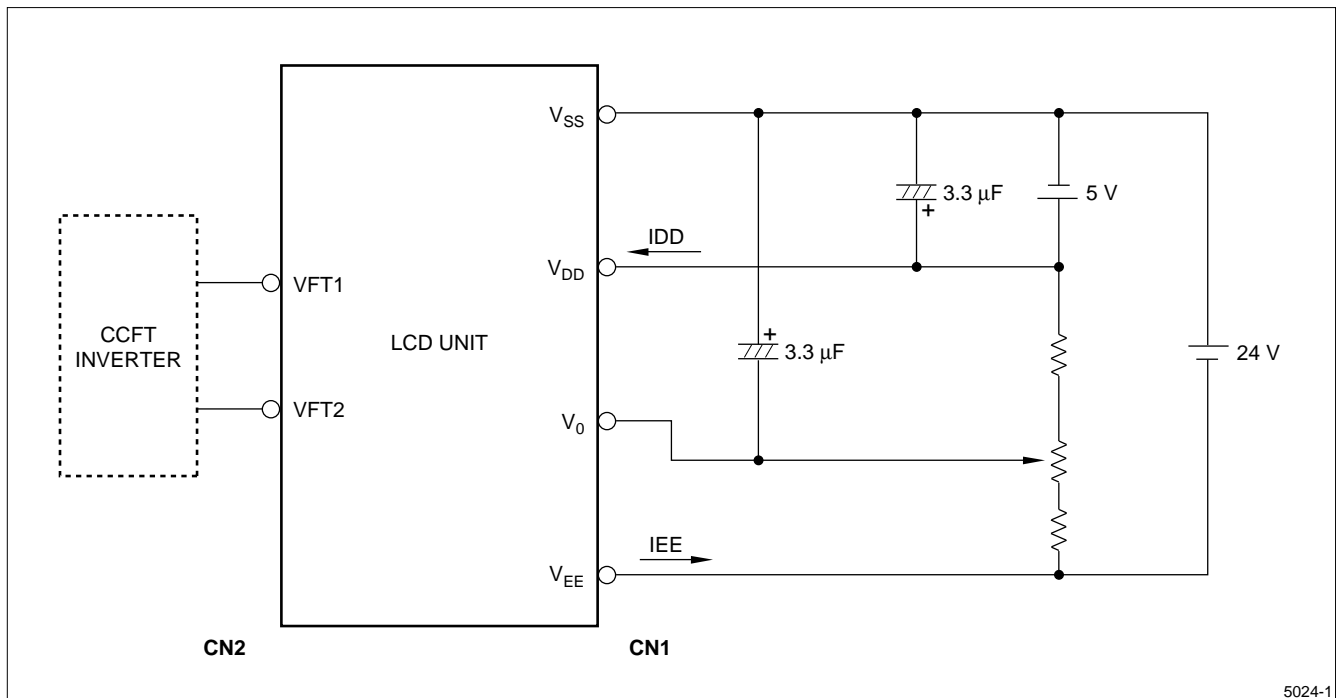
- Acceleration:  $490 \text{ m/s}^2$   
Pulse width: 11 ms  
Three times for each direction of  $\pm X/\pm Y/\pm Z$ .

**ELECTRICAL CHARACTERISTICS ( $t_A = 25^{\circ}\text{C}$ ,  $V_{DD} = 5\text{ V} \pm 5\%$ )**

SYMBOL	PARAMETER	MIN.	TYP.	MAX.	UNIT	NOTES
$V_{DD} - V_{SS}$	Supply Voltage (Logic)	4.75	5.0	5.25	V	—
$V_{EE} - V_{SS}$	Supply Voltage (LCD Drive)	-25.2	-24.0	-22.8	V	$V_{DD} = 5.0\text{ V}$ Note 1
$V_{DD} - V_0$	LCD Contrast Adjust Voltage	T. B. D.	T. B. D.	T. B. D.	—	—
$V_{IN}$	Input Signal Voltage	$0.8 V_{DD}$	—	$V_{DD}$	V	'H' Level
		0	—	$0.2 V_{DD}$	V	'L' Level
$I_{IL}$	Input Leakage Current	—	—	20	$\mu\text{A}$	'H' Level
		-20.0	—	—	$\mu\text{A}$	'L' Level
$I_{DD}$	Supply Current (Logic)	—	T. B. D.	T. B. D.	mA	$V_{DD} = 5.0\text{ V}$ , $V_{EE} = -24.0\text{ V}$ $V_{DD} - V_0 = \text{T. B. D.}$ $F = 80\text{ Hz}$
$I_{EE}$	Supply Current (LCD Drive)	—	T. B. D.	T. B. D.	mA	
$P_{dLCD}$	Power Consumption (LCD)	—	T. B. D.	T. B. D.	mW	
$V_{FTS}$	Start Voltage (B/L)	—	—	480	$V_{RMS}$	—
$V_{FTL}$	Supply Voltage (B/L)	250	275	300	$V_{RMS}$	—
$I_{FT}$	Supply Current (B/L)	4	5	6	$\text{mA}_{RMS}$	—
$P_{DFT}$	Power Consumption (B/L)	—	1.375	—	W	—

**NOTES:**

- The viewing angle  $\theta$  at which the optimum contrast ( $\theta$ ) is available by changing the LCD contrast adjust voltage  $V_{DD} - V_0$ . Maximum and minimum values are measured within the operating temperature range ( $0^{\circ}\text{C}$  to  $45^{\circ}\text{C}$ ). Typical values are measured at  $25^{\circ}\text{C}$ .



**Figure 2. Display High Frequency Pattern**

## INTERFACE SIGNALS

### CN1<sup>1</sup>

PIN NUMBER	SYMBOL	PARAMETER	LEVEL
1	V <sub>0</sub>	LCD Contrast Adjust Voltage	–
2	V <sub>EE</sub>	Power Supply For LCD (–24 V)	–
3	D <sub>3</sub>	Display Data Signal	H (ON), L (OFF)
4	D <sub>2</sub>		
5	D <sub>1</sub>		
6	D <sub>0</sub>		
7	NC	–	–
8	V <sub>SS</sub>	Signal Ground (0 V)	–
9	V <sub>DD</sub>	Power Supply For Logic (+5 V)	–
10	CP2	Data Input Clock Signal	H → L
11	CP1	Input Data Latch Signal	H → L
12	S	Scan Start-Up Signal	H

**NOTE:**

1. Cable used: 1.25 mm pitch, 12 pins F.F.C.

### CN2<sup>1</sup>

PIN NUMBER	SYMBOL	PARAMETER
1	VFT1	Power Supply for CCFT Backlight
2	VFT2	Power Supply for CCFT Backlight

**NOTE:**

1. Cable used: AWGZZ UL STILE 3239

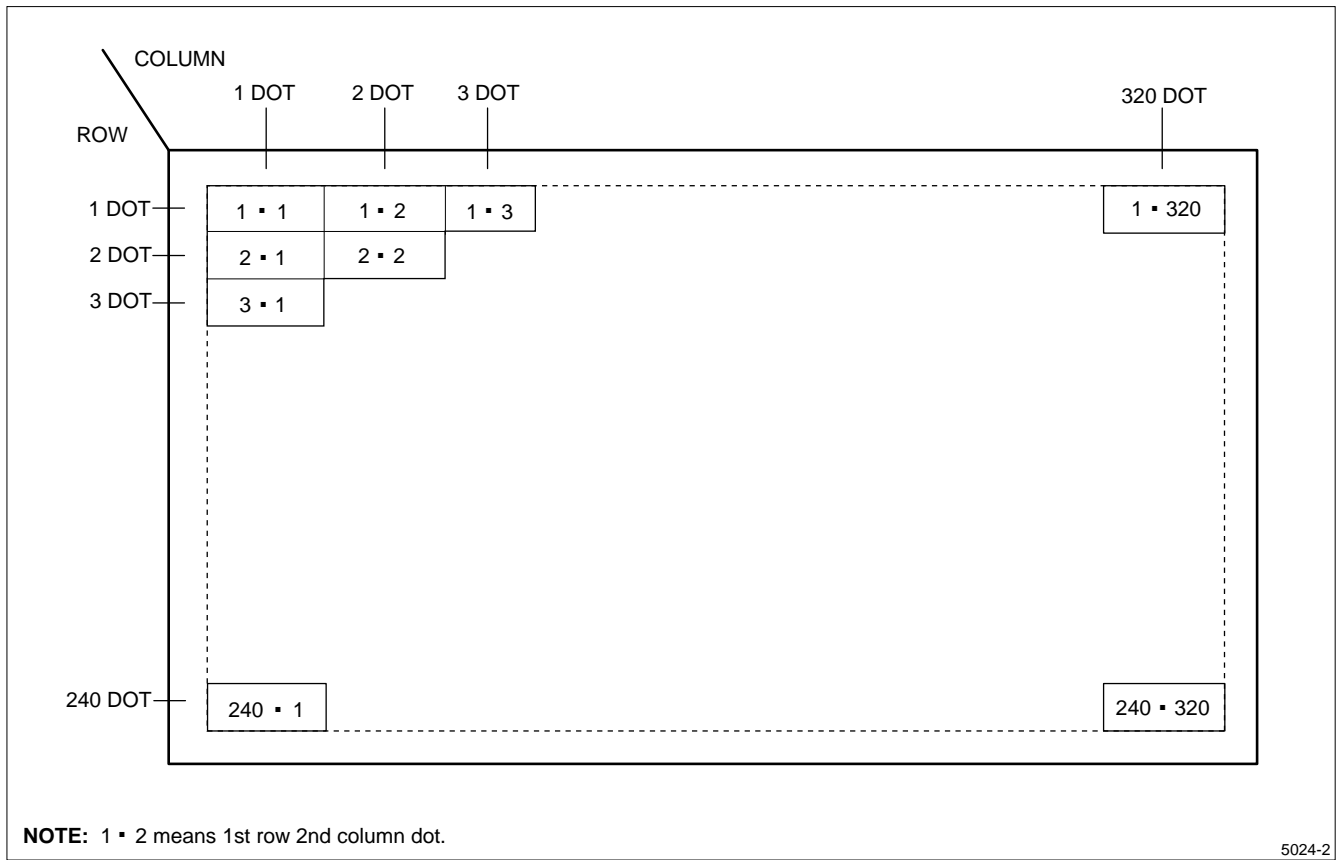
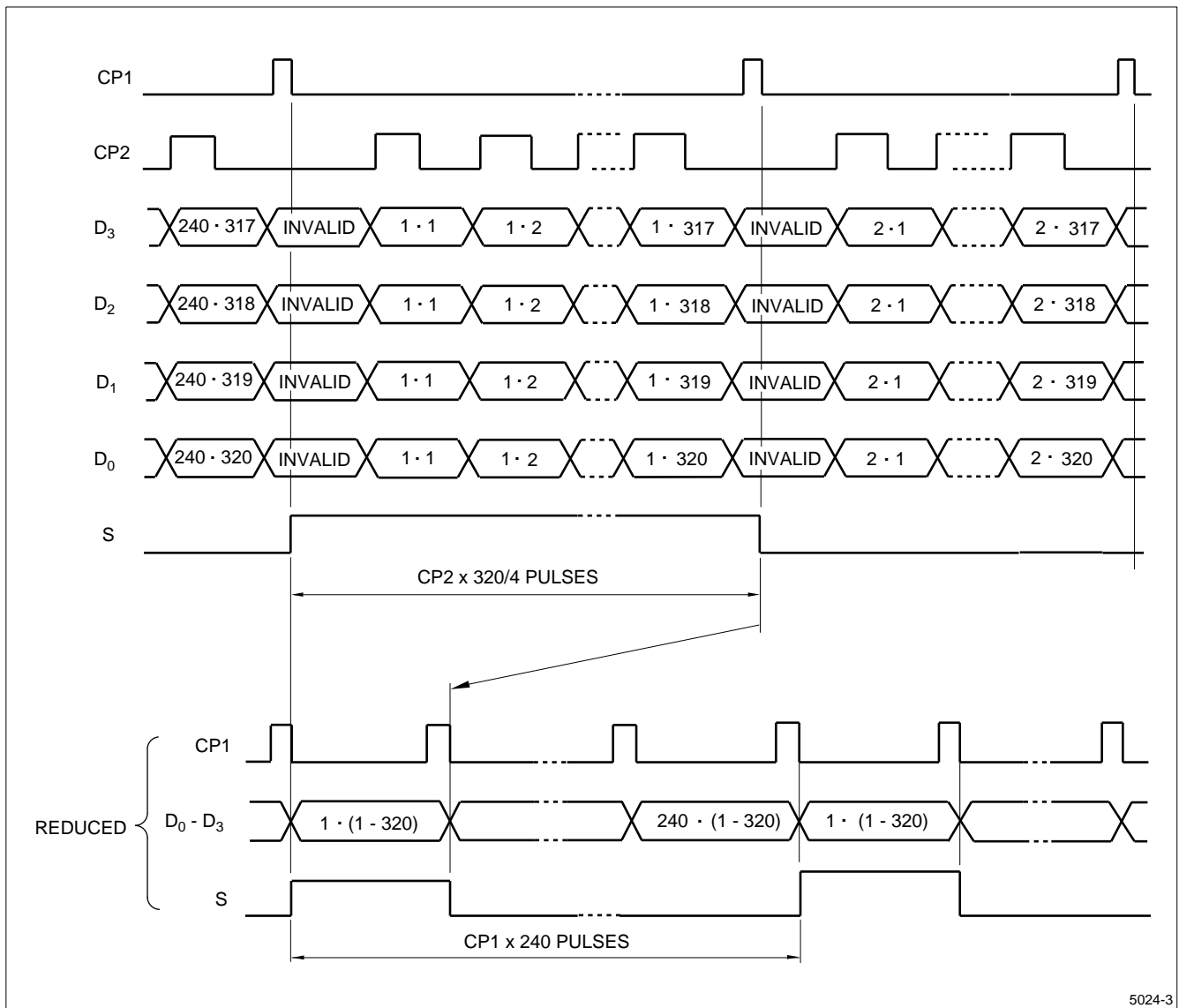


Figure 3. Dot Chart of Display Area



5024-3

Figure 4. Data Input Timing Chart

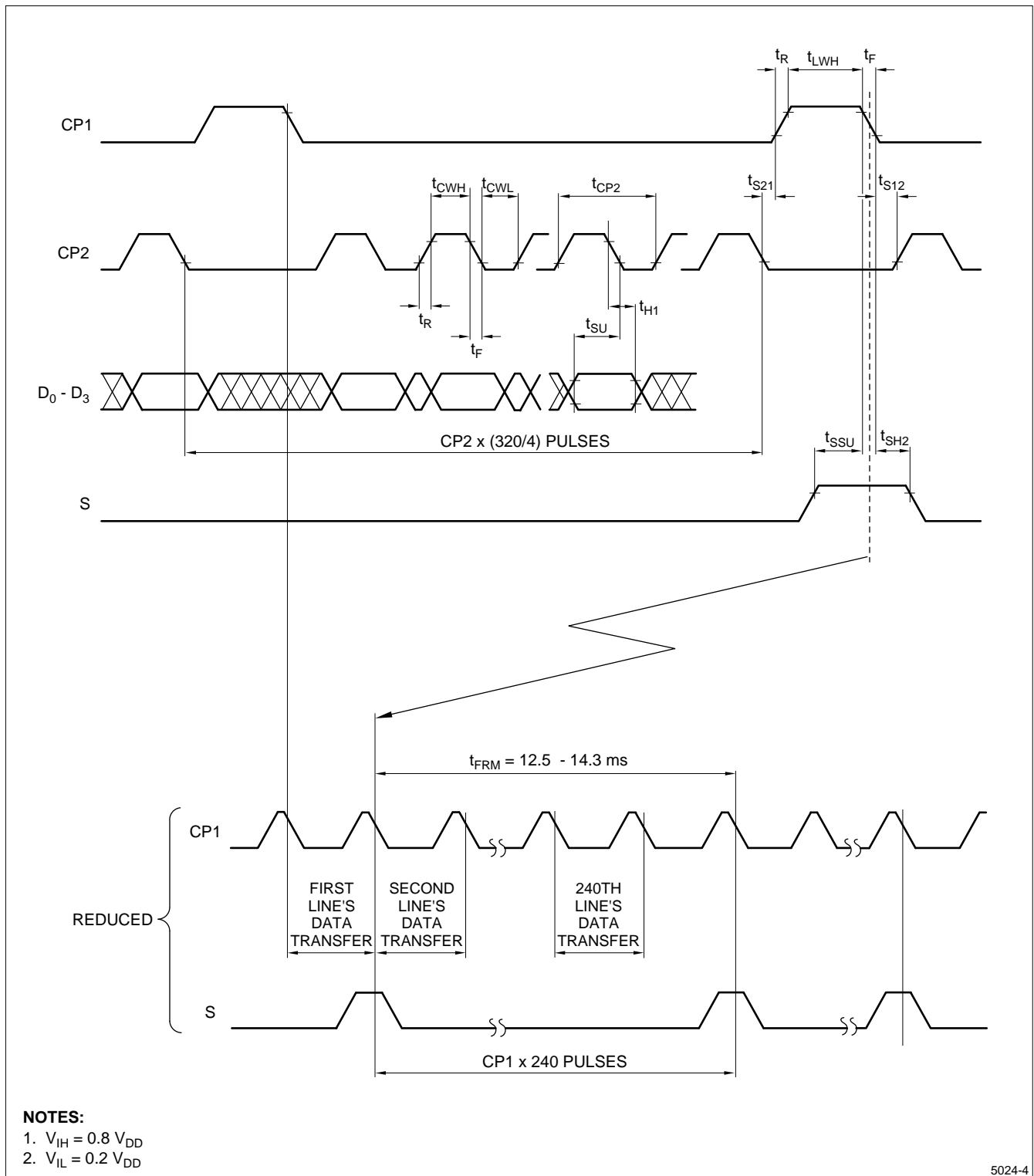


Figure 5. Interface Timing Chart

**INTERFACE TIMING RATINGS**

SYMBOL	PARAMETER	MIN.	TYP.	MAX.	UNITS
t <sub>FRM</sub>	Frame Cycle	12.5	–	14.3	–
t <sub>CP2</sub>	CP2 Clock Cycle	152	–	–	ns
t <sub>CWH</sub>	'H' Level Clock Width	100	–	–	ns
t <sub>CWL</sub>	'L' Level Clock Width	100	–	–	ns
t <sub>LWH</sub>	'H' Level Latch Clock Width	100	–	–	ns
t <sub>SU</sub>	Data Setup Time	80	–	–	ns
t <sub>HI</sub>	Data Hold Time	80	–	–	ns
t <sub>s12</sub>	CP2 ↑ Clock Allowance Time From CP1 ↓	0	–	–	ns
t <sub>s21</sub>	CP1 ↑ Clock Allowance Time From CP2 ↓	0	–	–	ns
t <sub>R</sub> , t <sub>F</sub>	Clock Rise/Fall Time	–	–	50	ns
t <sub>SSU</sub>	S Signal Data Setup Time	100	–	–	ns
t <sub>SH2</sub>	S Signal Data Hold Time	100	–	–	ns



## UNIT DRIVING METHOD

### Circuit Configuration

Figure 1 shows the block diagram of the Unit's circuitry.

### Display Face Configuration

The display face electrically consists of a signal display segment of  $320 \times 240$  dots.

### Input Data and Control Signal

The LCD driver is 80 bits LSI, consisting of shift register, latch circuits, and LCD driver circuits.

Display data which is externally divided into data for each row (320 dots) is sequentially transferred in the form of 4-bit parallel data through shift registers by Clock Signal CP2 from the left top of the display face.

When data of one row (320 dots) has been input, they are latched in the form of parallel data for 320 lines of signal electrodes by Latch Signal CP1. Then the corresponding drive signal is transmitted to the 320 lines of column electrodes of the LCD panel by the LCD drive circuits.

At this time, scan start-up signal S is transferred from the scan signal driver to the first row of scan electrodes, and the contents of the data signals are displayed on the first row of the upper and lower half of the display face according in the combinations of voltages applied to the scan and signal electrodes of the LCD.

While the first rows of data are being displayed, the second rows of data are entered. When 320 dots of data have been transferred, then latched, on the falling edge of CP1 clock, the display face proceeds to the second rows of display.

Such data input is repeated up to the 240th row of each display segment, from upper to lower rows, to complete one frame of display using the time-sharing method. Then data input proceeds to the next display face. Scan start-up signal S generates scan signal to drive horizontal electrodes. To avoid flickering, drive the unit at 70 – 80 Hz/frame.

Because of the characteristics of the CMOS driver LSI, the power consumption of the unit goes up as the operating frequency CP2 increases. Thus, the driver LSI applies the system of transferring 4-bits parallel data through the four lines of shift registers to reduce the data transfer speed CP2. This system minimizes power consumption in the unit.

In this circuit configuration, 4-bit display data are input to data input pins of  $D_0 - D_3$ .

The LCD unit also adopts a bus line system for data input to minimize the power consumption. In this system, data input terminal of each driver LSI is activated only when relevant data input is fed.

Data input for column electrodes of both the upper and the lower display segment and chip select of driver LSI are made as follows:

- The driver LSI at the left end of the display face is first selected, and the adjacent driver LSI of the right side is selected when 80 dots data (20 CP2) is fed. This process continues sequentially until data is fed to the driver LSI at the right end of the display face.
- This process is immediately followed at the column drivers LSI's of both the upper and the lower display segments. Thus, data input for both the upper and the lower display segments must be fed through 4-bit bus line sequentially from the left end of the display face.

Since this graphic display unit contains no refresh RAM, it requires data and timing pulse inputs even for static display.

## OPTICAL CHARACTERISTICS ( $V_{DD} = 5.0\text{ V}$ , $t_A = 25^\circ\text{C}$ )

The following specifications show the optical characteristics when the viewing angle obtaining the maximum contrast ( $\phi$ ) is adjusted to 0 degrees.

SYMBOL	PARAMETER	CONDITION	MIN.	TYP.	MAX.	UNIT	NOTES		
$\theta_2 - \theta_1$	Viewing Angle Range	$\phi = 0^\circ$	$C_0 \geq 2.0$	60	—	—	degrees	1	
$\theta_1$			$C_0 = 2.0$	—	—	-30			
$\theta_2$		$\theta_1 < \theta_2$	$C_0 \geq 2.0$	25	—	—			
$\theta_2 - \theta_1$			$\phi = 90^\circ$	$C_0 \geq 2.0$	65	—			—
$\theta_1$				$C_0 = 2.0$	—	—			-35
$\theta_2$			$C_0 = 2.0$	25	—	—			
$C_0$	Contrast Ratio	$\theta = 0^\circ, \phi = 0^\circ$	8.0	10.0	—	—	2		
$t_R$	Response Speed – Rise	$\theta = 0^\circ, \phi = 0^\circ$	—	100	150	ms	3		
$t_D$	Response Speed – Decay	$\theta = 0^\circ, \phi = 0^\circ$	—	150	200	ms			

### NOTES:

- The viewing angle is defined below.
- Contrast Ratio is defined as follows:
 
$$C_0 = \frac{\text{Photodetector output voltage with non-select waveform being applied}}{\text{Photodetector output voltage with select waveform being applied}}$$
- The response characteristics of photodetector output are measured as shown in Figure 8, assuming that input signals are applied to select and deselect the dots to be measured, in the optical characteristics test method shown in Figure 7.

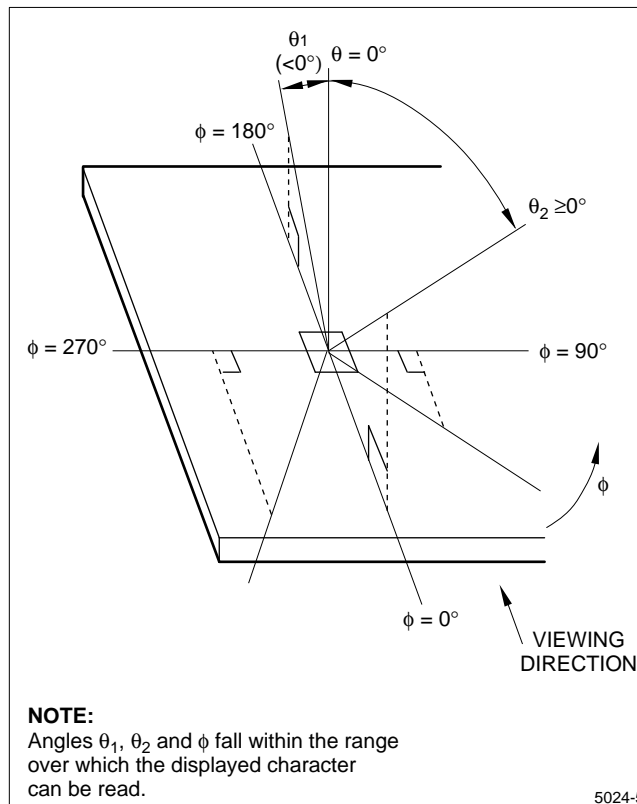
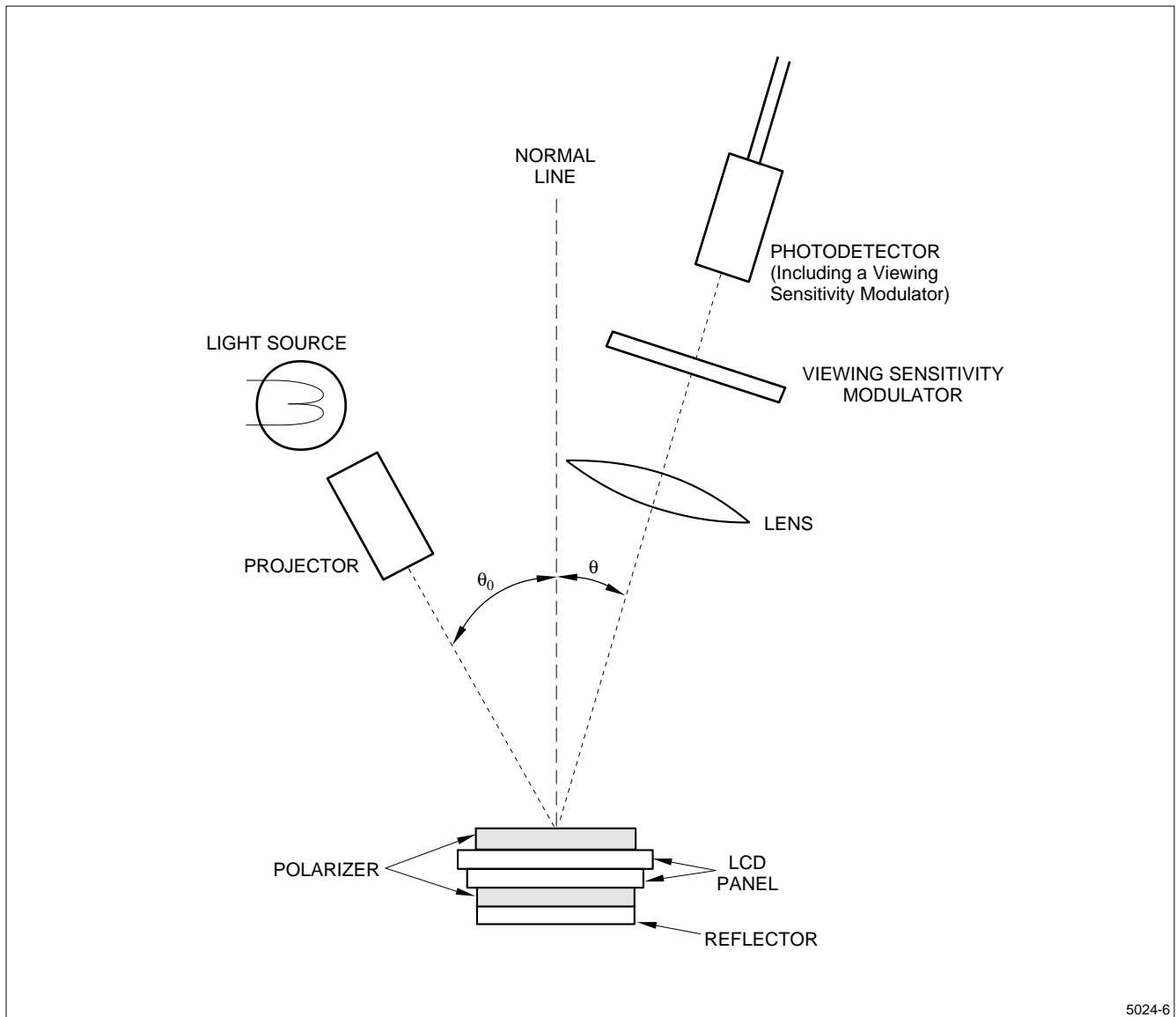


Figure 6. Definition of Viewing Angle



5024-6

Figure 7. Optical Characteristics Test Method

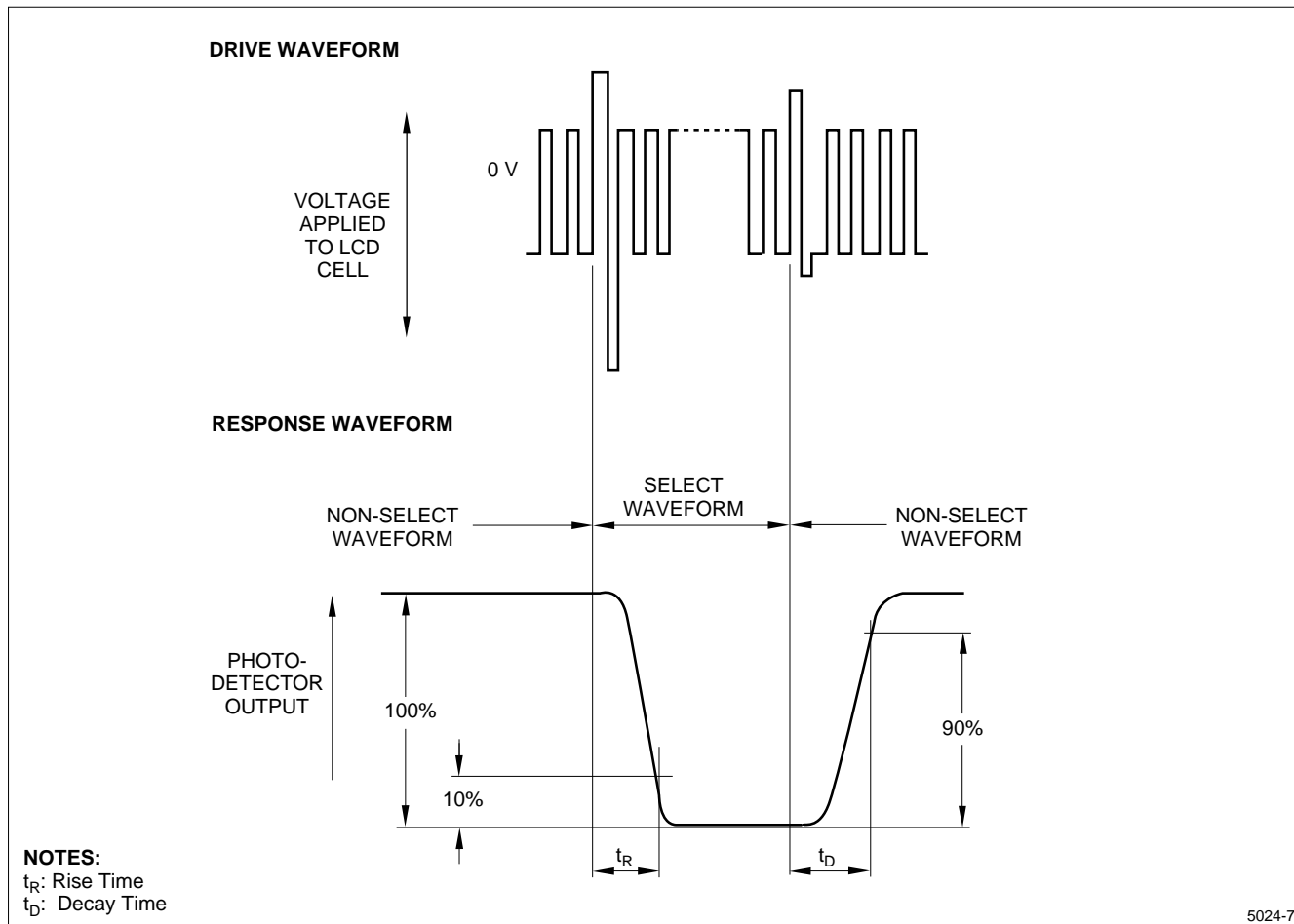


Figure 8. Definition of Response Time

## CHARACTERISTICS OF BACKLIGHT

The ratings satisfy the following conditions.

### Brightness

PARAMETER	MIN.	TYP.	MAX.	UNIT
Brightness	T.B.D.	T.B.D.	–	cd/m <sup>2</sup>

### Measurement Circuit

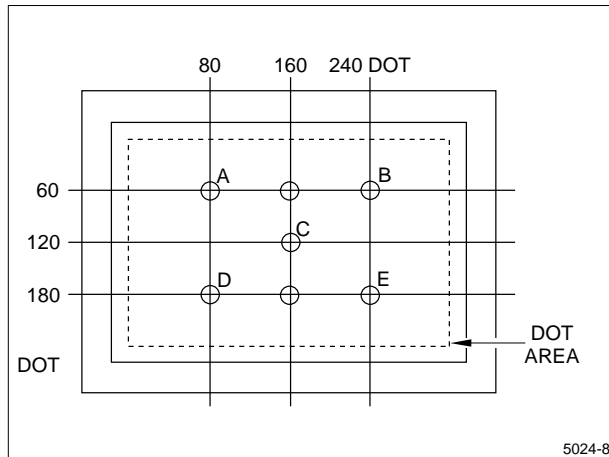


Figure 9. Measuring Points (1 to 5)

### CCFT Inverter:

LM000106  
 INPUT voltage 12.0 V  
 IFT = 5 mA

### LCD Unit Condition:

LCD is full dot OFF  
 $V_{EE} = -24$  V

### Temperature:

$t_A = 25^\circ\text{C}$

### Measurement Equipment

BM-7 (TOPCON)

### Operating Life

The operating lifetime is defined as having ended when any of the following conditions are met:

- When the illuminance or quantity of light has decreased to 50% of the initial value.
- When the CCFT flickers.

## PRECAUTIONS

- Industrial (Mechanical) design of the product in which this LCD unit is incorporated must be made so that the viewing angle characteristics of the LCD are optimized. This unit's viewing angle is illustrated in Figure 10 and as follows:

- $\theta_1 \text{ MIN} < \text{viewing angle} < \theta_2$  ( $\theta_1 < 0^\circ$ ,  $\theta_2 \geq 0^\circ$ )  
 Consider the optimum viewing conditions according to the purpose when installing the unit.

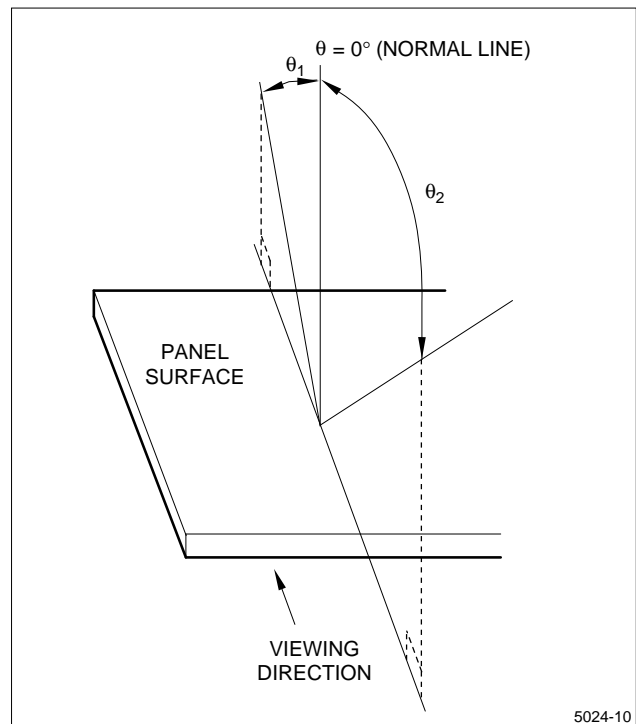


Figure 10. Dot Matrix LCD Viewing Angle

This unit is installed using mounting tabs at the four corners of PCB or bezel. During installation, avoid undue stress on the unit such as twisting or bending. A transparent acrylic resin board or other type of protective panel should be attached to the front of the unit to protect the polarizer LCD cells, etc.

- Since the front polarizer is easily damaged, use care to not scratch the face.
- If the surface of the LCD cells need cleaning, wipe it with a soft cloth.
- Wipe liquid off immediately since it can cause color changes or staining.
- The LCD is made of glass plates. Use care when handling it to avoid breakage.

- This unit contains CMOS LSIs which are sensitive to electrostatic charges. The following measures should be taken to protect the unit from electrostatic discharge:
  - Ground the metallic case of the main system (contact of the unit and main system).
  - Insulate the unit and main system by attaching insulating washers made of bakelite or nylon.
- The unit should be driven according to the specified ratings to avoid malfunction or permanent damage. DC voltage drive leads to rapid deterioration of LC, so ensure that the drive is alternating waveform by continuous application of the signal M. Avoid latch-up of driver LSIs and application of DC voltage to the LCD panel by following the ON/OFF sequence shown in Figure 11.
- Do not expose the unit to direct sunlight, strong ultraviolet light, etc., for prolonged periods.
- Store the unit at normal room temperature to prevent the LC from converting to liquid (due to excessive temperature changes).
- Do not disassemble the unit.

**WARNING:** Avoid using any materials which emit gas from epoxy resin (Amines' hardener) and silicon adhesive agent (dealcohol or deoxym) to prevent polarizer color change caused by gas.

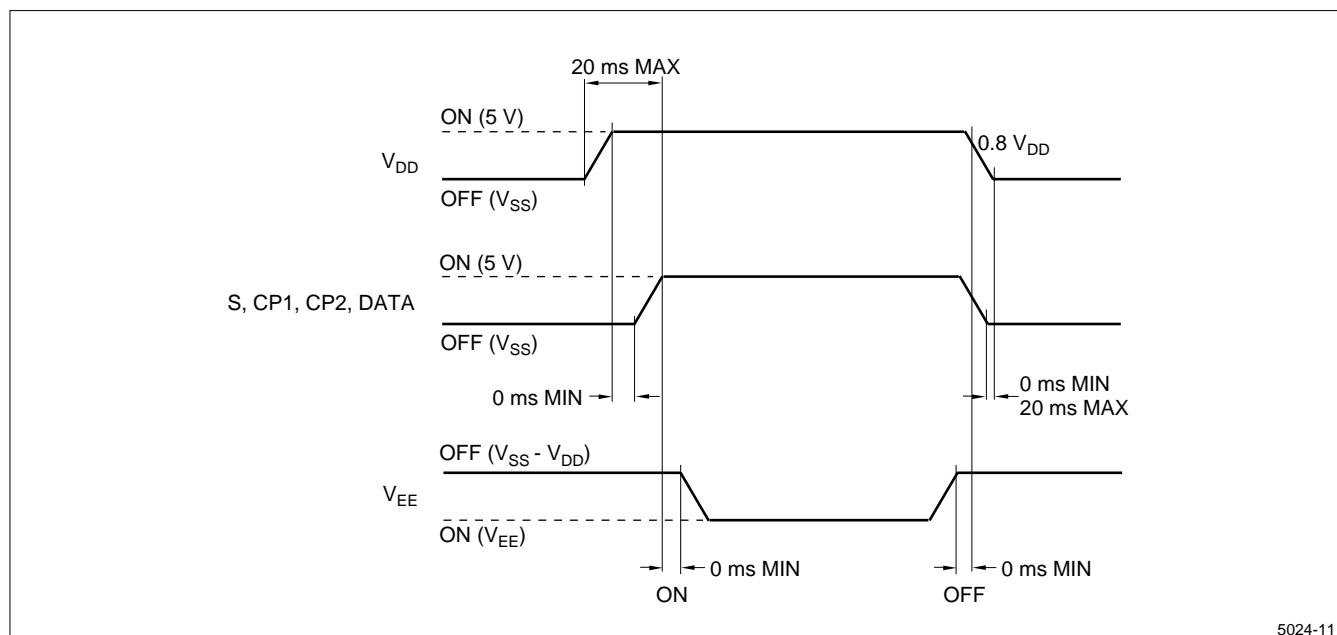
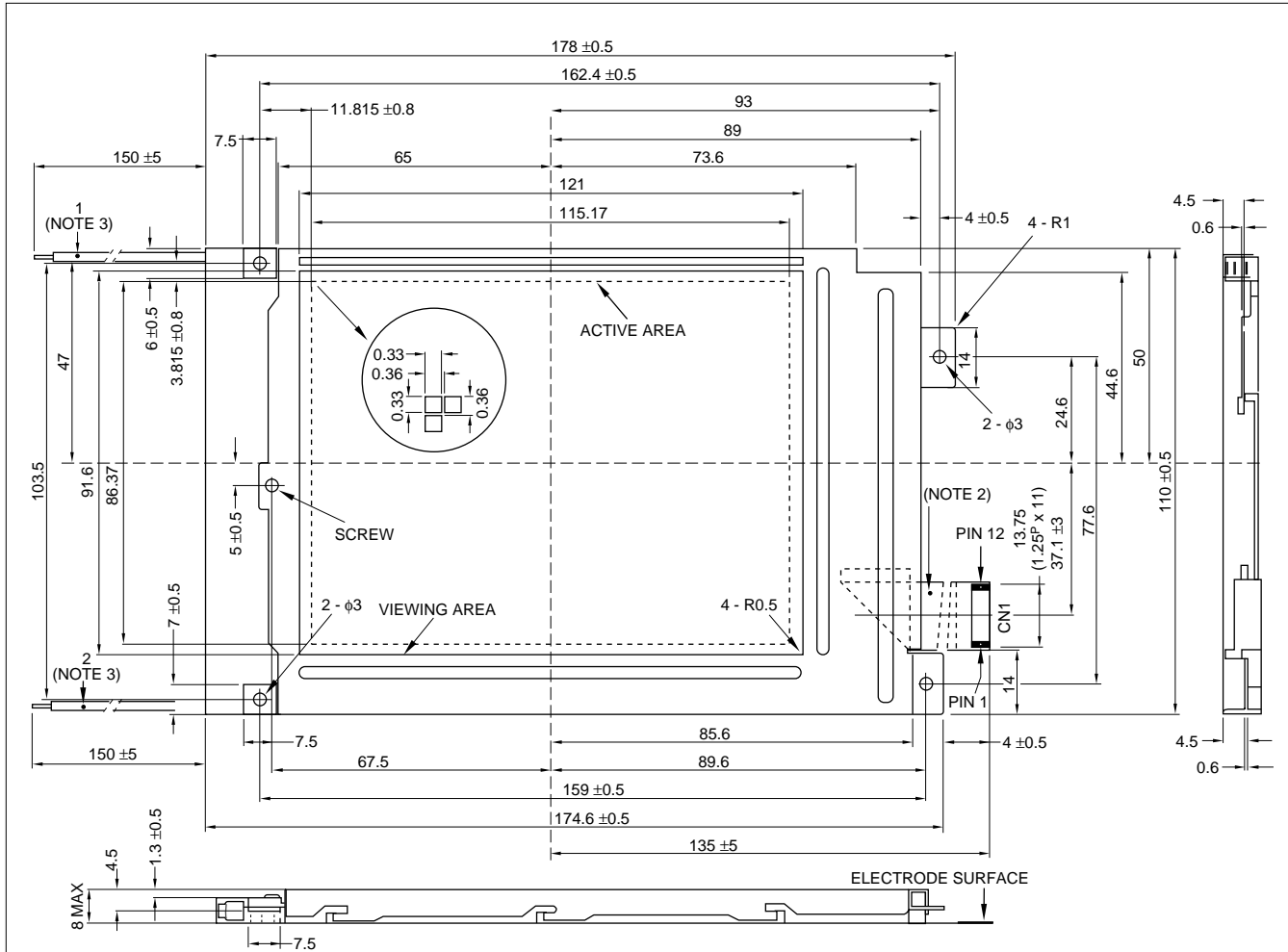


Figure 11. Power ON/OFF Sequence

OUTLINE DIMENSIONS



PIN #	SIGNAL	PIN #	SIGNAL
1	V <sub>O</sub>	7	NC
2	V <sub>EE</sub>	8	V <sub>SS</sub>
3	D <sub>3</sub>	9	V <sub>DD</sub>
4	D <sub>2</sub>	10	CP <sub>2</sub>
5	D <sub>1</sub>	11	CP <sub>1</sub>
6	D <sub>0</sub>	12	S

NOTES:

1. Bezel is plated with white-zinc.
2. Flat-cable (TW-VF 1.25P (FUJIKURA)
3. Backlight cable: UL3239.AWG22
4. Unspecified tolerances are 0.3

5024-12